

## Handling System for Rack Type Drive Unit with Legs, Tray Unload and Cord Conveyor

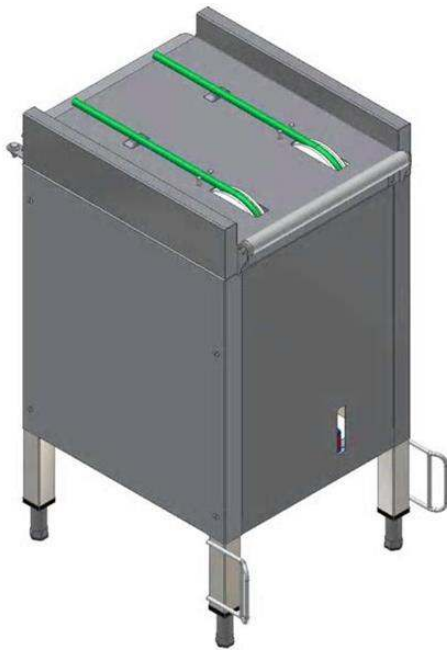
ITEM # \_\_\_\_\_

MODEL # \_\_\_\_\_

NAME # \_\_\_\_\_

SIS # \_\_\_\_\_

AIA # \_\_\_\_\_


**865131 (HSCCTDTU)**

Drive Unit of cord conveyor for trays with tray unloader, variable speed and legs

### Short Form Specification

**Item No.** \_\_\_\_\_

Constructed in 304 AISI stainless steel. Two cords in 15mm reinforced polyurethane. Square 40x40mm tubular legs on height-adjustable feet. Variable speed. Start/stop device and emergency switch. Tray unloader and sensors for tray lowerators. Designed for trays up to 375x530mm.

### Main Features

- Range allows a large number of conveyor combinations.
- Hidden screws eliminate dirt traps.
- Frontal access for easy maintenance.
- Frame integrated motor for easier cleaning of floor.
- Conveyor speed controlled 4 to 15 m/min depending on capacity.
- Available as optional accessory a remote easy-to reach emergency-stop buttons fitted where required.
- Straight Drive Unit sustain up to 20 m; with each additional 90° curve the capability decreases by 4 m. For longer distances Central Units are needed.

### Construction

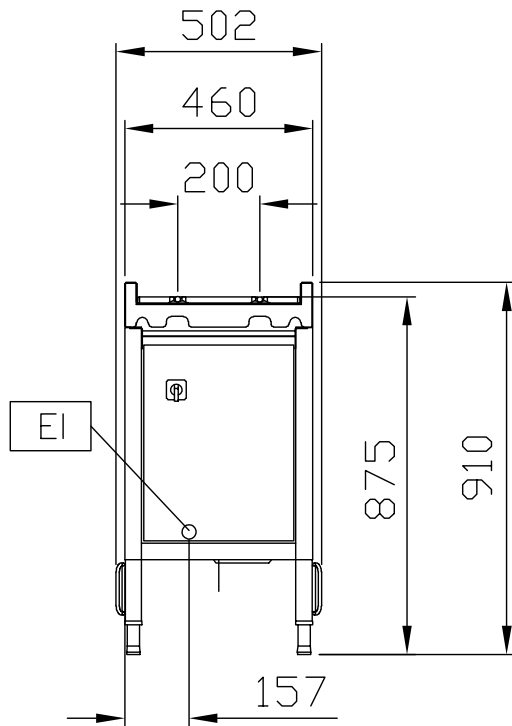
- 304 AISI stainless steel construction throughout.
- Free-standing construction delivered with 40x40mm legs.
- Thick welded flanges for sturdy connection between the units.
- For trays up to 375x530mm.
- All surfaces smooth with polished finish.
- Stainless steel square 40x40mm tubular legs.
- Fiber glass reinforcement with 15mm polyurethane cord.
- Main electrical controls protected in a water-resistant electrical cabinet.
- Optional step by step loading for maximum accumulation of trays on the conveyor.

### Optional Accessories

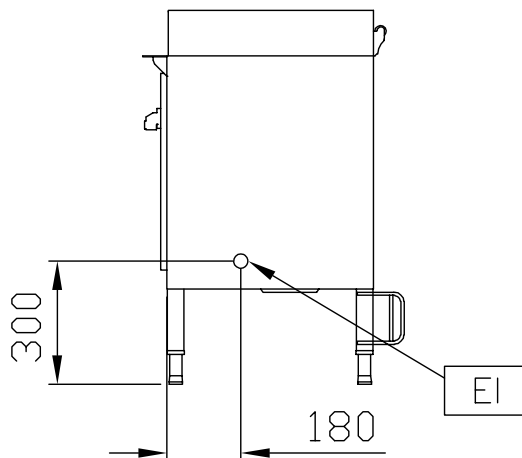
- Tray Lowerator for conveyor, H=800/900 mm PNC 865135
- Emergency switch for cord conveyor PNC 865141
- Kit for cord welding PNC 865143

APPROVAL: \_\_\_\_\_

Front

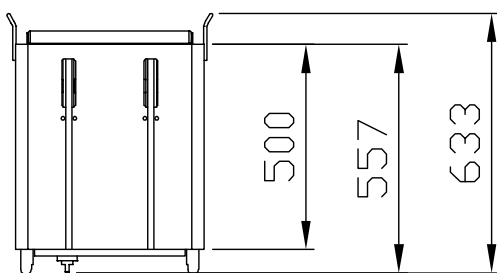


Side



EI = Electrical inlet (power)

Top



### Electric

Supply voltage: 230 V/1N ph/50/60 Hz  
 Electrical power, max: 0.75 kW

### Key Information:

External dimensions, Width: 500 mm  
 External dimensions, Depth: 460 mm  
 External dimensions, Height: 910 mm  
 Net weight: 49 kg  
 Basin material: Stainless Steel AISI 304 - EN 1.4301  
 Feeding motors number: 1  
 Number of speeds: Variable  
 Max. speed: 15 m/min  
 Min. speed - m/min: 7 m/min